



K-103, K-103-12V
Power Switch
Expansion Modules
1420016 & 1420020

GENERAL DESCRIPTION

Dataprobe's AC Power Control Module, Modes K-103 and K-103-12V allows power to be switched on and off remotely when attached to our PowerPal EXP dial up power switch Model PP-NC-03 item # 1410014. It can also be operated by an external contact closure.

The **K-103** can be used in both domestic 115 VAC 60 Hz or international 230 VAC 50Hz applications. The unit is equipped with universal IEC 320 type AC power connectors for use with standard detachable IEC power cords.

The **K-103-12V** is intended for 12VAC or 12VDC applications.

Basic operation is the same for both units; K-103-12V and the K-103. In this manual each unit will be referenced separately where any differences apply.

The K-103 has been configured for connection and operation from a PowerPal EXP dial up power switch. A power lamp indicates when the unit is in the ON mode and power is available at the outlet. Power status can also be remotely monitored thru the use of Dataprobe's unique feedback circuitry. Connection to the control and feedback signals are wired thru an RJ45, 8 wire modular jack.

OPERATION

The unit is factory set to **default** to the **ON** condition. The unit will turn power OFF when commanded thru the PowerPal EXP or from an external contact closure. Power will be ON if the control cable is removed or the contact is open.

The K-103 provides positive indication of the status of power at the switched outlet back to the PowerPal EXP.

K-103:

CAUTION Be sure to check that the voltage selector switch is set to the correct operating voltage, either 115VAC or 230VAC, before plugging in the unit or applying AC power.

K-103-12V: The voltage selector switch is not used.

Ref: M/PWR/K103_xx_V041006D

Technical Support Hotline: (201) 967-8788



Technical Support: 201-934-5111
Main: 201-934-9944

tech@dataprobe.com
Website: dataprobe.com

IMPORTANT SAFETY INSTRUCTIONS

When using this product, basic safety precautions should always be followed to reduce the risk of fire, electric shock, and injury to persons, including the following:

1. Read and understand all instructions.
2. Follow all warnings and marked on the product.
3. Unplug this product from the wall outlet before cleaning. Do not use liquid cleaners or aerosol cleaners. Use a damp cloth for cleaning.
4. Do not use this product in an outdoor environment or near water, for example, near a bath tub, wash bowl, kitchen sink, or laundry tub, in a wet basement, or near a swimming pool.
5. Do not place this product on an unstable cart, stand, or table. The product may fall, causing serious damage to the product.
6. Slots and openings in this product and the back or bottom are provided for ventilation to protect it from overheating, these openings must not be blocked or covered. The openings should never be blocked by placing the product on the bed, sofa, rug, or other similar surface. This product should never be placed near or over a radiator or heat register. This product should not be placed in a built-in installation unless proper ventilation is provided.
7. This product should be operated only from the type of power source indicated on the marking label. If you are not sure of the type of power supply to your home, consult your dealer or local power company.
8. This product is equipped with a three wire grounding type plug, a plug having a third (grounding) pin. This plug will only fit into a grounding type power outlet. This is a safety feature. If you are unable to insert the plug into the outlet, contact your electrician to replace your obsolete outlet. Do not defeat the safety purpose of the grounding type plug. Do not use a 3-to-2 prong adapter at the receptacle; use of this type adapter may result in risk of electrical shock and/or damage to this product.
9. Do not allow anything to rest on the power cord. Do not locate this product where the cord will be abused by persons walking on it.
10. Do not overload wall outlets and extension cords as this can result in the risk of fire or electric shock.
11. Never push objects of any kind into this product through slots as they may touch dangerous voltage points or short out parts that could result in a risk of fire or electrical shock. Never spill liquid of any kind on the product.
12. To reduce the risk of electrical shock, do not disassemble this product, but take it to a qualified serviceman when some service or repair work is required. Opening or removing covers may expose you to dangerous voltages or other risks. Incorrect re-assembly can cause electric shock when the appliance is subsequently used.
13. Unplug this product from the wall outlet and refer servicing to qualified service personnel under the following conditions:
 - a) When the power supply cord or plug is damaged or frayed.
 - b) If liquid has been spilled into the product.
 - c) If the product has been exposed to rain or water.
 - d) If the product does not operate normally by following the operating instructions. Adjust only those controls, that are covered by the operating instructions because improper adjustment of other controls may result in damage and will often require extensive work by a qualified technician to restore the product to normal operation.
 - e) If the product has been dropped or has been damaged.
 - f) If the product exhibits a distinct change in performance.
14. Avoid using a telephone (other than a cordless type) during an electrical storm. There may be a remote risk of electric shock from lightning.
15. Do not use the telephone to report a gas leak in the vicinity of the leak.
16. Do not exceed the maximum output rating of the auxiliary power receptacle.

SAVE THESE INSTRUCTIONS

INSTALLATION AND CONFIGURATION

K-103

CAUTION Be sure to check that the unit is set to the correct operating voltage before plugging in the unit or applying AC power. Make certain to disconnect the K-103 from the AC power source before making any control connections.

Control Connection

Using PowerPal PP-NC-03

Connect the RJ45 control cable exiting from the rear of the PowerPal EXP to the RJ45 jack labeled Control on the K-103. The wiring for the K-103 control port is shown below.

Using an External Contact

Connect a dry contact, or open collector to ground directly to the Contact Input and the ground leads of the K-103 using an RJ45 8 wire modular plug. The feed back is changes state in relation to the power being ON or OFF and is referenced to Ground. The wiring is shown below.

RJ45

Pin #	3	Contact Input / Contact Closed to pin 6 = OFF
	6	Ground
	7	Status Feedback / OFF = Hi, ON = Lo
	8	PP-NC-03 Control Input

AC Power Connections: K-103

The K-103 can be set for operating voltages of 110-120 VAC or 220-240 VAC by setting the voltage selector switch located on the side of the unit to the appropriate position 115 or 230. **Make sure the switch is set to the correct position before applying power.**

Connect the device to be powered ON and OFF to the IEC receptacle marked **Switched Outlet**. A short IEC 320 power jumper cord is included for connecting the K-103 outlet to the IEC 320 power input connector on your device.

Make sure that the combined load of all controlled devices does not exceed 10 Amps.

Connect the K-103 to your AC source by using a detachable type IEC-320 power cord terminated with the local standard plug, be sure it is properly rated and meets all the required local electrical standards. Install the IEC end of the power cord into the IEC connector labeled **AC Input**, then connect the other end to the AC supply.

12V Power Connections: K-103-12V

Connect the device to be powered ON and OFF to the IEC receptacle marked **Switched Outlet**. A short IEC 320 power jumper cord is included for connecting the K-103 outlet to the IEC 320 power input connector on your device.

Make sure that the combined load of all controlled devices does not exceed 10 Amps.

Connect the K-103-12V to your 12V source by using a detachable type IEC-320 power cord with stripped wire ends, be sure it is properly rated and meets all the required local electrical standards. Install the IEC end of the power cord into the IEC connector labeled **12V Input**, and then connect the other end to the 12 volt supply using the Line (brown) and Neutral (blue) leads. The Ground lead (Green/Yellow) can be used for frame ground but is not needed.

Caution: This unit can be used on 12 volt AC or DC power supplies and therefore the unit is not polarity sensitive, but be sure to maintain polarity from the Input to the Output wiring when using the unit with 12VDC so that the 12VDC powered device is connected correctly thru the unit.

SPECIFICATIONS

Model: K-103

A/C Power Control Expansion Module for use with PowerPal EXP Model PP-NC-03.

AC

Input: 3 Prong, Male, IEC 320 input connector.

Voltage Range: Switch Selectable 105 -125 VAC or 210-240 VAC 50/60 Hz

Switched Receptacle: 3 Prong Female IEC

Capacity: 10 Amps Max

Model: K-103-12V

12V Power Control Expansion Module for use with PowerPal EXP Model PP-NC-03.

12V- AC/DC

Input: 3 Prong, Male, IEC 320 input connector.

Voltage Range: 10 - 15V AC/DC

Switched Receptacle: 3 Prong Female IEC

Capacity: 10 Amps Max

K-103 & K-103-12V

Physical

Height 2.70 in.

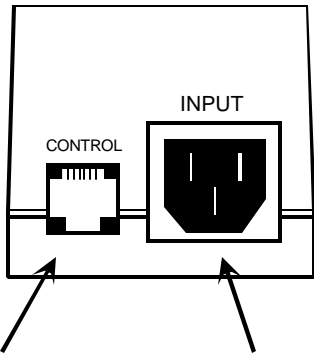
Width 3.25 in.

Depth 4.00 in.

Weight 1.00 lb.

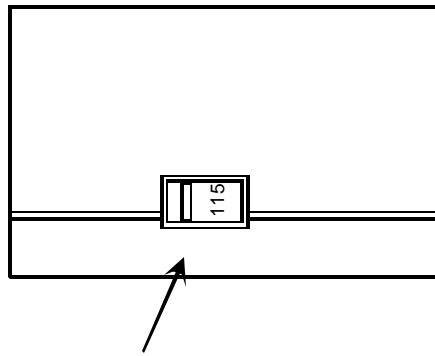
Control

Controlled from PowerPal EXP dial up power switch as (item 1410014) as Switched Outlet # 2 or directly form an external dry contact.

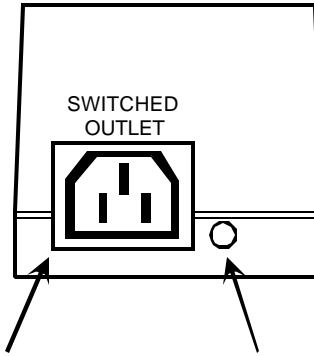


Control Port
8 Position Modular
(RJ45)

Power Input
IEC 320 Male



Power Input Voltage
Selector 115/230 VAC
K-103 Only



Power Output
IEC 320 Female

Power Status
LED Indicator

Attach to modular cable
exiting from PowerPal EXP
Model PP-NC-03
Item# 1410014

Shipped with
IEC320M C13 to NEMA 5-15
Jumper Cord.

TECHNICAL SUPPORT, RETURNS and WARRANTY

Dataprobe Technical Support is available 8:30AM to 5:30PM ET to assist you in the installation and operation of this product. To obtain Technical Support call our Tech Support Hotline at 201- 934-5111, or Email us at tech@dataprobe.com. Please have the following information available when you call:

- Model of Product
- Serial Number
- Date of Purchase
- Name of Seller (if other than Dataprobe)

If you purchased this product through an **Authorized Dataprobe Reseller**, you should contact them first, as they may have information about the application that can more quickly answer your questions.

WARRANTY

Seller warrants this product, if used in accordance with all applicable instructions, to be free from original defects in material and workmanship for a period of One Year from the date of initial purchase. If the product should prove defective within that period, Seller will repair or replace the product, at its sole discretion.

Service under this Warranty is obtained by shipping the product (with all charges prepaid) to the address below. Seller will pay return shipping charges. Call Dataprobe Technical Service at (201) 967-8788 to receive a Return Materials Authorization (RMA) Number prior to sending any equipment back for repair. Include all cables, power supplies and proof of purchase with shipment.

THIS WARRANTY DOES NOT APPLY TO NORMAL WEAR OR TO DAMAGE RESULTING FROM ACCIDENT, MISUSE, ABUSE OR NEGLIGENCE. SELLER MAKES NO EXPRESS WARRANTIES OTHER THAN THE WARRANTY EXPRESSLY SET FORTH HEREIN. EXCEPT TO THE EXTENT PROHIBITED BY LAW, ALL IMPLIED WARRANTIES, INCLUDING ALL WARRANTIES OF MERCHANT ABILITY OR FITNESS FOR ANY PURPOSE ARE LIMITED TO THE WARRANTY PERIOD SET FORTH ABOVE; AND THIS WARRANTY EXPRESSLY EXCLUDES ALL INCIDENTAL AND CONSEQUENTIAL DAMAGES.

Some states do not allow limitations on how long an implied warranty lasts, and some states do not allow the exclusion or limitation of incidental or consequential damages, so the above limitations or exclusions may not apply to you. This warranty gives you specific legal rights, and you may have other rights which vary from jurisdictions to jurisdiction.

WARNING: The individual user should take care to determine prior to use whether this device is suitable, adequate or safe for the use intended. Since individual applications are subject to great variation, the manufacturer makes no representation or warranty as to the suitability of fitness for any specific application.